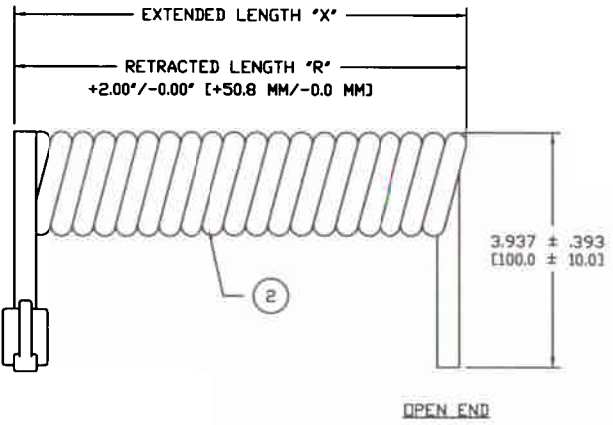


THESE DRAWINGS AND SPECIFICATIONS ARE THE SOLE PROPERTY OF I/O INTERCONNECT INC. U.S.A. AND SHALL NOT BE REPRODUCED, COPIED, OR USED IN ANY MANNER WITHOUT THE PRIOR WRITTEN CONSENT OF I/O INTERCONNECT INC. OR ITS AFFILIATED SUBSIDIARIES.

DWG. NO.	ZONE	REV.	DESCRIPTION	DATE	APPROVED
XX6-52X-D		C	ECN C285	08/20/01	K.C.
		D	ADD NOTE & CHANGE P/N TO ROHS COMPLIANT PER ECH D830	04/21/05	M.G.

WIRE DIAGRAM

P1	OPEN END
1	WHITE
2	BLACK
3	RED
4	GREEN
5	YELLOW
6	BLUE



T.B.D.	GLF-466-146-525-D	GLF-121-610-022	14.0 FT [4.3 M]	44.0 IN [1117.6 MM]	WHITE
T.B.D.	GLF-466-146-524-D	GLF-121-610-012	14.0 FT [4.3 M]	44.0 IN [1117.6 MM]	BLACK
T.B.D.	GLF-466-146-523-D	GLF-121-610-002	14.0 FT [4.3 M]	44.0 IN [1117.6 MM]	SILVER SATIN
H3661-10C-ND	GLF-466-106-522-D	GLF-121-610-021	10.0 FT [3.0 M]	32.0 IN [812.8 MM]	WHITE
H3662-10C-ND	GLF-466-106-521-D	GLF-121-610-011	10.0 FT [3.0 M]	32.0 IN [812.8 MM]	BLACK
T.B.D.	GLF-466-106-520-D	GLF-121-610-001	10.0 FT [3.0 M]	32.0 IN [812.8 MM]	SILVER SATIN
T.B.D.	GLF-466-076-525-D	GLF-121-610-020	7.0 FT [2.1 M]	24.0 IN [609.6 MM]	WHITE
H3662-07C-ND	GLF-466-076-524-D	GLF-121-610-010	7.0 FT [2.1 M]	24.0 IN [609.6 MM]	BLACK
T.B.D.	GLF-466-076-523-D	GLF-121-610-000	7.0 FT [2.1 M]	24.0 IN [609.6 MM]	SILVER SATIN
T.B.D.	GLF-466-056-522-D	GLF-121-610-023	5.0 FT [1.5 M]	18.0 IN [457.2 MM]	WHITE
H3662-05C-ND	GLF-466-056-521-D	GLF-121-610-013	5.0 FT [1.5 M]	18.0 IN [457.2 MM]	BLACK
T.B.D.	GLF-466-056-520-D	GLF-121-610-003	5.0 FT [1.5 M]	18.0 IN [457.2 MM]	SILVER SATIN
DIGI-KEY PART NUMBER	IOI PART NUMBER	IOI CABLE PART NUMBER	EXTENDED LENGTH 'X'	RETRACTED LENGTH 'R'	

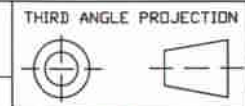
TABULATION BLOCK

NOTES: UNLESS OTHERWISE SPECIFIED.

- TEST CABLE FOR ALL OPENS & SHORTS.
- PACKAGE CABLE ASSEMBLY INDIVIDUALLY IN PLASTIC BAG. PACKAGE INDIVIDUAL BAG PER LOT NUMBER QUANTITIES.
- MARK OUTSIDE OF SHIPPING BOX WITH CUSTOMER PART NUMBER.
- PLACE BAR CODE LABEL ON THE OUTSIDE OF EACH SHIPPING BOX LABEL DETAIL SEE DWG 090-990-001.
- ALL METRICAL SHOULD BE ROHS COMPLIANT.

ITEM	QTY	MFG.	IOI PART NO.	DESCRIPTION
2	X' FT	IOI	SEE 'TABULATION BLOCK'	MODULAR COIL CABLE, 26 AWG (7/34) BARE COPPER, 6 CONDUCTOR, UNSHIELDED, PVC JACKET, (SEE TABULATION BLOCK FOR COLOR). ROHS COMPLIANT.
1	1 PC	IOI	GLF-325-661-50X	CONNECTOR, MODULAR PLUG, 6 POSITION, 6 CONDUCTOR, 50u Au, FLAT TYPE EXIT. ROHS COMPLIANT.

CABLE ASSEMBLY PARTS LIST



UNLESS OTHERWISE NOTED:
 1) DIMENSIONS ARE IN INCHES (MILLIMETER)
 2) TOLERANCES:
 X.XX ± 0.25 (6.35)

I/O INTERCONNECT
 SANTA ANA, CALIFORNIA

DR. BY: JERRY SUN 04/21/05
 DR. CHECKED: [Signature]
 REV. 0
 DATE: 04/21/05

TITLE: 6P6C COIL CABLE TO OPEN END, CABLE ASSEMBLY P/N H366X-XXC-ND

PART NO: GLF-466-XX6-52X-D
 DWG NO: GLF-466-XX6-52X-D

CUSTOMER: DIGI-KEY
 REV. D

SCALE: NONE
 SHEET 1 OF 1